

IN11130

INSTALLATION INSTRUCTIONS

Please read carefully and save these instructions, as you may need them at a later date.

CAUTION

WARNING: Risk of Fire. Consult a qualified electrician to ensure correct branch circuit conductor. Min 90°C supply conductors.

Turn off the main power at the circuit breaker before installing the fixture, in order to prevent possible shock.

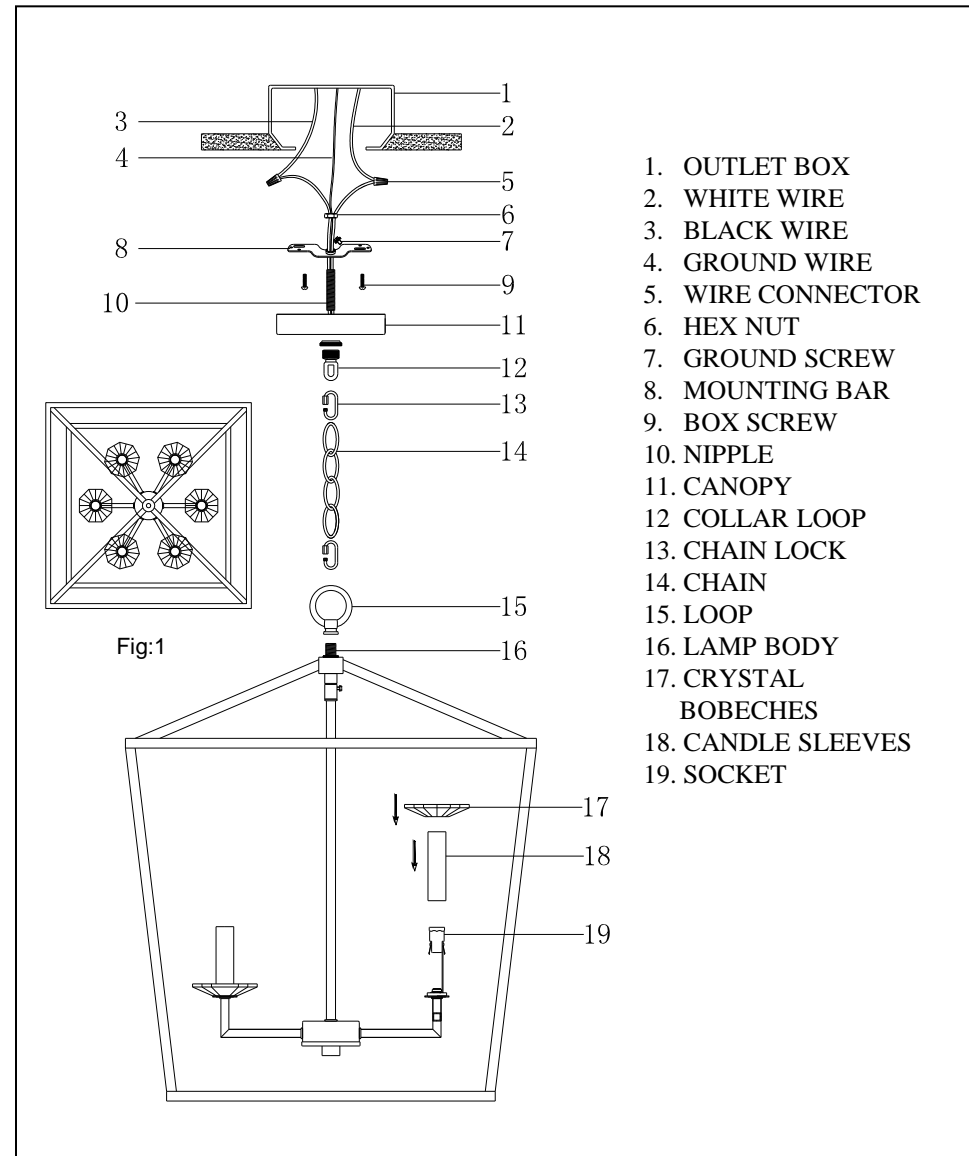
GENERAL

All electrical connections must be in accordance with local and National Electrical Code (N.E.C.) standards. If you are unfamiliar with proper electrical wiring connections obtain the services of a qualified electrician.

Remove the fixture and the mounting package from the box and make sure that no parts are missing by referencing the illustrations on the installation instructions.

ASSEMBLY AND INSTALLATION

1. Pass wire from lamp body (16) through loop (15), then screw loop (15) onto nipple end of lamp body (16).
2. Take nipple (10) from parts bag and screw in collar loop (12), and screw nipple (10) into mounting bar (8).
3. Attach mounting bar (8) to outlet box with box screws (9).
4. Unscrew the threaded ring from collar loop (12), take canopy (11) and pass over collar loop (12).
5. After desired position is found, tighten nipple (10) onto collar loop (12) and tighten hex nut (6) against mounting bar (8).
6. Slip canopy (11) over collar loop (12) and thread on threaded ring. Attach chain (14) and chain lock (13) with fixture connected to bottom of collar loop (12). Unscrew the threaded ring, let canopy (11) and threaded ring slip down.
7. Pass wire and ground wire through chain links no more than 3 inches apart, then pass wires through threaded ring, canopy (11), collar loop (12), nipple (10), and into outlet box (1).
8. Pull out the outlet wire and ground wire from the outlet box (1). Make wire connections:
 - Ribbed wire (w/o marking) from light to White wire (2) from power source
 - Smooth wire (w/o marking) from light to Black wire (3) from power source
 - Loop the ground wire (4) to mounting bar (8) with a ground screw (7)
9. Raise canopy (11) to ceiling, verify all wires are securely inside canopy (11), then secure canopy (11) in place by tightening threaded ring onto collar loop (12).
10. Put candle sleeves (18) onto socket (19), and then pass crystal bobeches (17) through candle sleeves (18).



INSTALLATION IS NOW COMPLETE